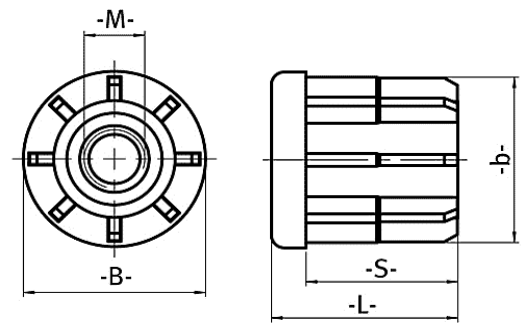


Best.nr.	Betegnelse	Teknisk spec.						Bærekraft (kg)	Illustration & symbol
		M (mm)	B (mm)	b (mm)	L (mm)	S (mm)			
	Gevindbøsning til runde rør								
	Prop i sort kunstof-materiale og indsats i forniklet messing.								
	Udv. / Tykkelse								
2199.30.008	30mm x 1,0mm	M8	30,0	28,5	33	27	500		
2199.30.010	30mm x 1,0mm	M10	30,0	28,5	33	27	500		
2199.30.012	30mm x 1,0mm	M12	30,0	28,5	33	27	500		
2199.30.014	30mm x 1,0mm	M14	30,0	28,5	33	27	500		
2199.30.016	30mm x 1,0mm	M16	30,0	28,5	33	27	500		
2085.30.008	30mm x 1,5mm	M8	30,0	27,5	33	27	500		
2085.30.010	30mm x 1,5mm	M10	30,0	27,5	33	27	500		
2085.30.012	30mm x 1,5mm	M12	30,0	27,5	33	27	500		
2085.30.014	30mm x 1,5mm	M14	30,0	27,5	33	27	500		
2085.30.016	30mm x 1,5mm	M16	30,0	27,5	33	27	500		
2200.30.008	30mm x 2,0mm	M8	30,0	26,5	33	27	500		
2200.30.010	30mm x 2,0mm	M10	30,0	26,5	33	27	500		
2200.30.012	30mm x 2,0mm	M12	30,0	26,5	33	27	500		
2200.30.014	30mm x 2,0mm	M14	30,0	26,5	33	27	500		
2200.30.016	30mm x 2,0mm	M16	30,0	26,5	33	27	500		
2201.30.008	30mm x 2,5mm	M8	30,0	25,5	33	27	500		
2201.30.010	30mm x 2,5mm	M10	30,0	25,5	33	27	500		
2201.30.012	30mm x 2,5mm	M12	30,0	25,5	33	27	500		
2201.30.014	30mm x 2,5mm	M14	30,0	25,5	33	27	500		
2201.30.016	30mm x 2,5mm	M16	30,0	25,5	33	27	500		
2085.38.010	38mm x 1,5mm	M10	38,0	35,5	43	35	600		
2085.38.012	38mm x 1,5mm	M12	38,0	35,5	43	35	600		
2085.38.014	38mm x 1,5mm	M14	38,0	35,5	43	35	600		
2085.38.016	38mm x 1,5mm	M16	38,0	35,5	43	35	600		
2200.38.010	38mm x 2,0mm	M10	38,0	34,5	43	35	600		
2200.38.012	38mm x 2,0mm	M12	38,0	34,5	43	35	600		
2200.38.014	38mm x 2,0mm	M14	38,0	34,5	43	35	600		
2200.38.016	38mm x 2,0mm	M16	38,0	34,5	43	35	600		
2201.38.010	38mm x 2,5mm	M10	38,0	33,5	43	35	600		
2201.38.012	38mm x 2,5mm	M12	38,0	33,5	43	35	600		
2201.38.014	38mm x 2,5mm	M14	38,0	33,5	43	35	600		
2201.38.016	38mm x 2,5mm	M16	38,0	33,5	43	35	600		
2085.42.010	42,4mm x 1,5mm	M10	42,4	39,9	43	35	800		
2085.42.012	42,4mm x 1,5mm	M12	42,4	39,9	43	35	800		
2085.42.014	42,4mm x 1,5mm	M14	42,4	39,9	43	35	800		
2085.42.016	42,4mm x 1,5mm	M16	42,4	39,9	43	35	800		
2085.42.020	42,4mm x 1,5mm	M20	42,4	39,9	43	35	800		
2200.42.010	42,4mm x 2,0mm	M10	42,4	39,9	43	35	800		
2200.42.012	42,4mm x 2,0mm	M12	42,4	39,9	43	35	800		
2200.42.014	42,4mm x 2,0mm	M14	42,4	39,9	43	35	800		
2200.42.016	42,4mm x 2,0mm	M16	42,4	39,9	43	35	800		
2200.42.020	42,4mm x 2,0mm	M20	42,4	39,9	43	35	800		
2201.42.010	42,4mm x 2,5mm	M10	42,4	39,9	43	35	800		
2201.42.012	42,4mm x 2,5mm	M12	42,4	39,9	43	35	800		
2201.42.014	42,4mm x 2,5mm	M14	42,4	39,9	43	35	800		
2201.42.016	42,4mm x 2,5mm	M16	42,4	39,9	43	35	800		
2201.42.020	42,4mm x 2,5mm	M20	42,4	39,9	43	35	800		
	• Proppen i glasfiberforstærket polyamidbaseret (PA) technopolymer								
	• Gevindindsats i forniklet messing								
	Gevindbøsningen anvendes til enkelt montage af maskinsko til rørprofiler - Indsatsen presses let i profilet.								
	Maskinskoen monteres i enden af gevindbøsningen.								



Best.nr.	Betegnelse	Teknisk spec.						Bærekraft (kg)	Illustration & symbol
		M (mm)	B (mm)	b (mm)	L (mm)	S (mm)			
	Gevindbøsning til runde rør								
	Prop i sort kunststof-materiale og indsats i forniklet messing.								
	Udv. / Tykkelse								
2085.48.012	48,3mm x 1,5mm	M12	48.3	45.8	55	44	1.000		
2085.48.014	48,3mm x 1,5mm	M14	48.3	45.8	55	44	1.000		
2085.48.016	48,3mm x 1,5mm	M16	48.3	45.8	55	44	1.000		
2085.48.020	48,3mm x 1,5mm	M20	48.3	45.8	55	44	1.000		
2200.48.012	48,3mm x 2,0mm	M12	48.3	44.8	55	44	1.000		
2200.48.014	48,3mm x 2,0mm	M14	48.3	44.8	55	44	1.000		
2200.48.016	48,3mm x 2,0mm	M16	48.3	44.8	55	44	1.000		
2200.48.020	48,3mm x 2,0mm	M20	48.3	44.8	55	44	1.000		
2201.48.012	48,3mm x 2,5mm	M12	48.3	43.8	55	44	1.000		
2201.48.014	48,3mm x 2,5mm	M14	48.3	43.8	55	44	1.000		
2201.48.016	48,3mm x 2,5mm	M16	48.3	43.8	55	44	1.000		
2201.48.020	48,3mm x 2,5mm	M20	48.3	43.8	55	44	1.000		
2085.51.012	50,9mm x 1,5mm	M12	50.9	48.4	55	44	1.000		
2085.51.014	50,9mm x 1,5mm	M14	50.9	48.4	55	44	1.000		
2085.51.016	50,9mm x 1,5mm	M16	50.9	48.4	55	44	1.000		
2085.51.020	50,9mm x 1,5mm	M20	50.9	48.4	55	44	1.000		
2200.51.012	50,9mm x 2,0mm	M12	50.9	47.4	55	44	1.000		
2200.51.014	50,9mm x 2,0mm	M14	50.9	47.4	55	44	1.000		
2200.51.016	50,9mm x 2,0mm	M16	50.9	47.4	55	44	1.000		
2200.51.020	50,9mm x 2,0mm	M20	50.9	47.4	55	44	1.000		
2201.51.012	50,9mm x 2,5mm	M12	50.9	46.4	55	44	1.000		
2201.51.014	50,9mm x 2,5mm	M14	50.9	46.4	55	44	1.000		
2201.51.016	50,9mm x 2,5mm	M16	50.9	46.4	55	44	1.000		
2201.51.020	50,9mm x 2,5mm	M20	50.9	46.4	55	44	1.000		
2200.60.012	60,3mm x 2,0mm	M12	60.3	56.8	55	44	1.000		
2200.60.014	60,3mm x 2,0mm	M14	60.3	56.8	55	44	1.000		
2200.60.016	60,3mm x 2,0mm	M16	60.3	56.8	55	44	1.000		
2200.60.020	60,3mm x 2,0mm	M20	60.3	56.8	55	44	1.000		
2201.60.012	60,3mm x 2,5mm	M12	60.3	55.8	55	44	1.000		
2201.60.014	60,3mm x 2,5mm	M14	60.3	55.8	55	44	1.000		
2201.60.016	60,3mm x 2,5mm	M16	60.3	55.8	55	44	1.000		
2201.60.020	60,3mm x 2,5mm	M20	60.3	55.8	55	44	1.000		
2202.60.012	60,3mm x 3,0mm	M12	60.3	54.8	55	44	1.000		
2202.60.014	60,3mm x 3,0mm	M14	60.3	54.8	55	44	1.000		
2202.60.016	60,3mm x 3,0mm	M16	60.3	54.8	55	44	1.000		
2202.60.020	60,3mm x 3,0mm	M20	60.3	54.8	55	44	1.000		
2203.60.012	60,3mm x 4,0mm	M12	60.3	52.8	55	44	1.000		
2203.60.014	60,3mm x 4,0mm	M14	60.3	52.8	55	44	1.000		
2203.60.016	60,3mm x 4,0mm	M16	60.3	52.8	55	44	1.000		
2203.60.020	60,3mm x 4,0mm	M20	60.3	52.8	55	44	1.000		
	<ul style="list-style-type: none"> • Proppen i glasfiberforstærket polyamidbaseret (PA) technopolymer • Gevindindsats i forniklet messing 								
	Gevindbøsningen anvendes til enkelt montage af maskinsko til rørprofiler -								
	Indsatsen presses let i profilet.								
	Maskinskoen monteres i enden af gevindbøsningen.								